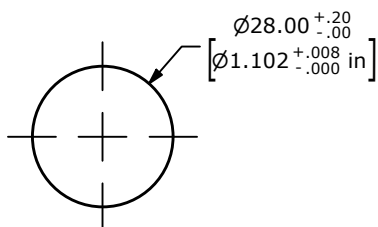
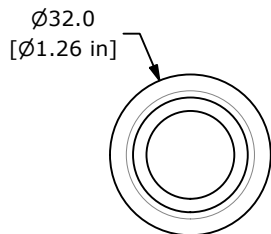


**SCHMATIC**  
 DPDT ILLUMINATED  
 OFF-(ON) / ON-(OFF)  
 ( ) DENOTES MOMENTARY FUNCTION

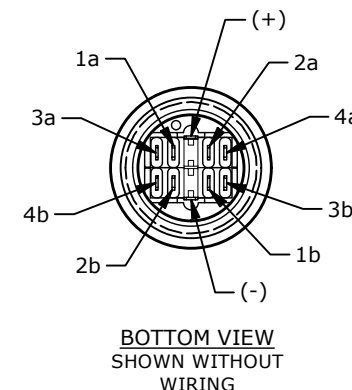
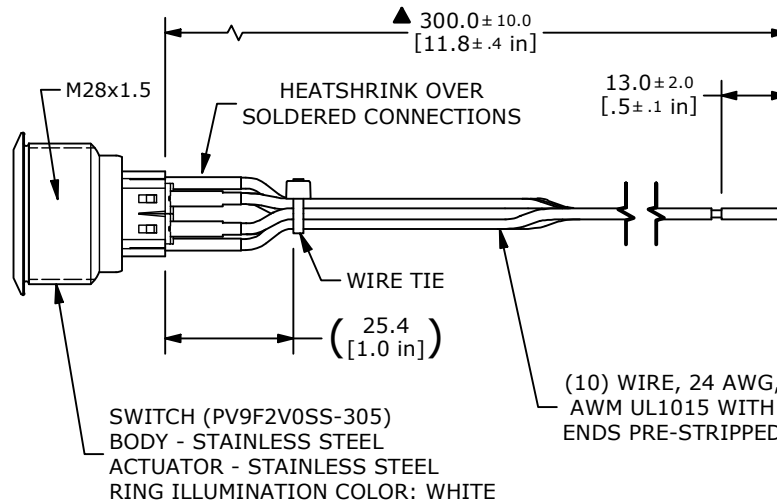
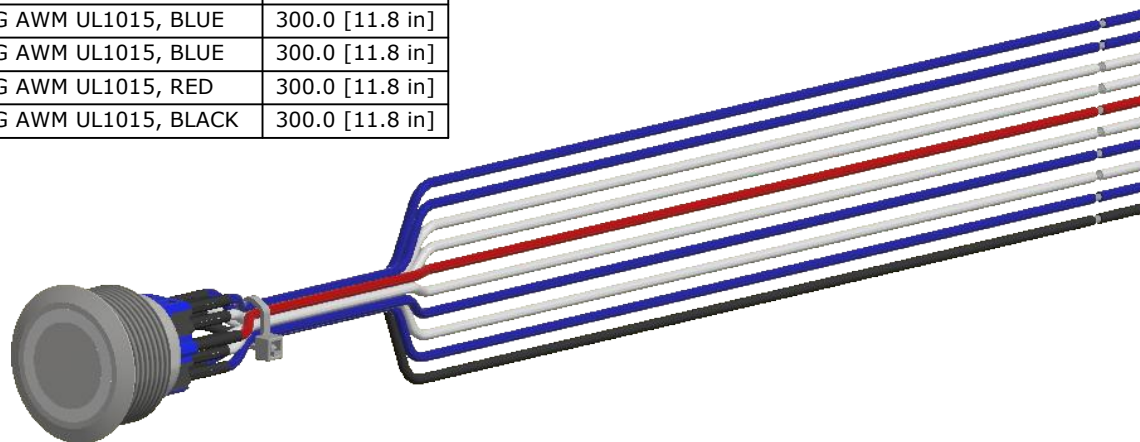
SWITCH	WIRE	LENGTH
SW1-1a	WIRE, 24AWG AWM UL1015, WHITE	300.0 [11.8 in]
SW1-2a	WIRE, 24AWG AWM UL1015, WHITE	300.0 [11.8 in]
SW1-3a	WIRE, 24AWG AWM UL1015, BLUE	300.0 [11.8 in]
SW1-4a	WIRE, 24AWG AWM UL1015, BLUE	300.0 [11.8 in]
SW1-1b	WIRE, 24AWG AWM UL1015, WHITE	300.0 [11.8 in]
SW1-2b	WIRE, 24AWG AWM UL1015, WHITE	300.0 [11.8 in]
SW1-3b	WIRE, 24AWG AWM UL1015, BLUE	300.0 [11.8 in]
SW1-4b	WIRE, 24AWG AWM UL1015, BLUE	300.0 [11.8 in]
SW1- (+)	WIRE, 24AWG AWM UL1015, RED	300.0 [11.8 in]
SW1- (-)	WIRE, 24AWG AWM UL1015, BLACK	300.0 [11.8 in]



**RECOMMENDED PANEL CUTOUT**  
 MAX. PANEL THICKNESS 10mm [.39 in]



- NOTE:**
- ALL DIMENSIONS IN MM [INCH]
  - GENERAL TOLERANCE: X.X = ± 0.4  
X.XX = ± 0.25
  - TERMINAL NUMBERS FOR REF. ONLY
  - FUNCTION: DPDT
  - RATING: 2A @ 48VDC
  - CONTACT RESISTANCE: 50mΩ MAX. @ 1A 12VDC
  - INSULATION RESISTANCE: 1,000MΩ @ 500VDC
  - DIELECTRIC STRENGTH: 2,000VAC MIN. FOR 1 MINUTE
  - ELECTRICAL LIFE: 50,000 CYCLES
  - OPERATING TEMPERATURE: -20°C to 55°C
  - INGRESS PROTECTION: IP66
  - ▲ 12. SUPPLIED HARDWARE: O-RING AND HEXNUT
  - ▲ 13. ▲ DENOTES CRITICAL PARAMETER
  - ▲ 14. ILLUMINATION COLOR: WHITE
  - ▲ 15. ILLUMINATION VOLTAGE: 24V



B	24666	UPDATE THREAD LENGTH TO 15.0	1/4/2021	JM
A	24098	NEW RELEASE	11/13/19	MW
REV	PCR NO	DESCRIPTION	DATE	BY

<b>E-SWITCH®</b>				
TITLE PV9FWV0SS-305				
SCALE	DATE	DR	DWG	REV
2:3	11/13/2019	MW	52-PV9FWV0SS305	B